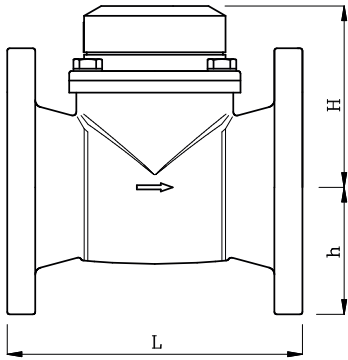
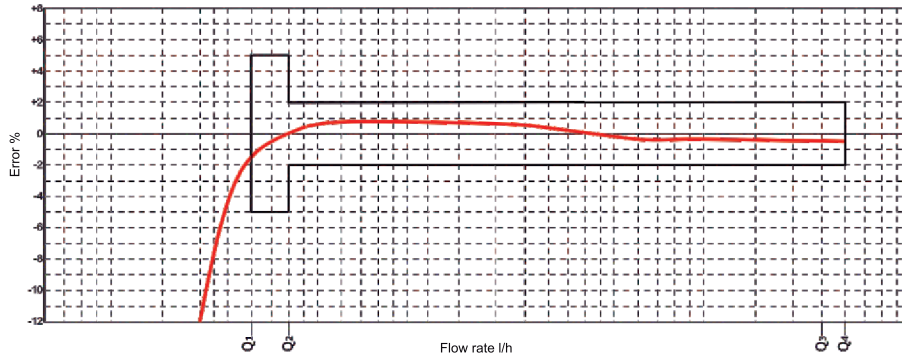


## Dimensions



## Error Curve



## Pressure Loss

